

## VLRC2 remote control step dimmer

For switching & adjusting the heat output of Victory infrared heaters, providing a comfortable temperature environment in a variety of indoor and outdoor applications.

The unit is simple to operate via the hand held remote controller which switches On/Off and has a four stage stepped dimming function. The dimmer is operated through 4 steps using the handheld remote's up or down arrows from a distance up to 20 meters (depending on local environmental conditions).

By reducing the power required, energy is saved, making the unit environmentally friendly as well as affordable from savings created in electricity costs.

### Controlled, efficient heating

- Can be used indoors and outdoors
- Powder coated cast aluminium casing
- IP65 - suitable for outdoor use
- ON/OFF remote switch
- 4-Stage remote step dimming
- Low cost & compact
- Easy installation
- Provides opportunity for energy saving

### Applications

- Churches
- Warehouses
- Factories
- Pubs & gardens
- Garages
- Restaurants
- Sheds/ Garages
- Patios





# Technical Data

## VLRC2 remote control step dimmer

Code	Finish	Colour
VLRC2	Cassette only	RAL7042 Traffic Grey

Suitable for any electrical device with load up to 2kW.

### Supplied with

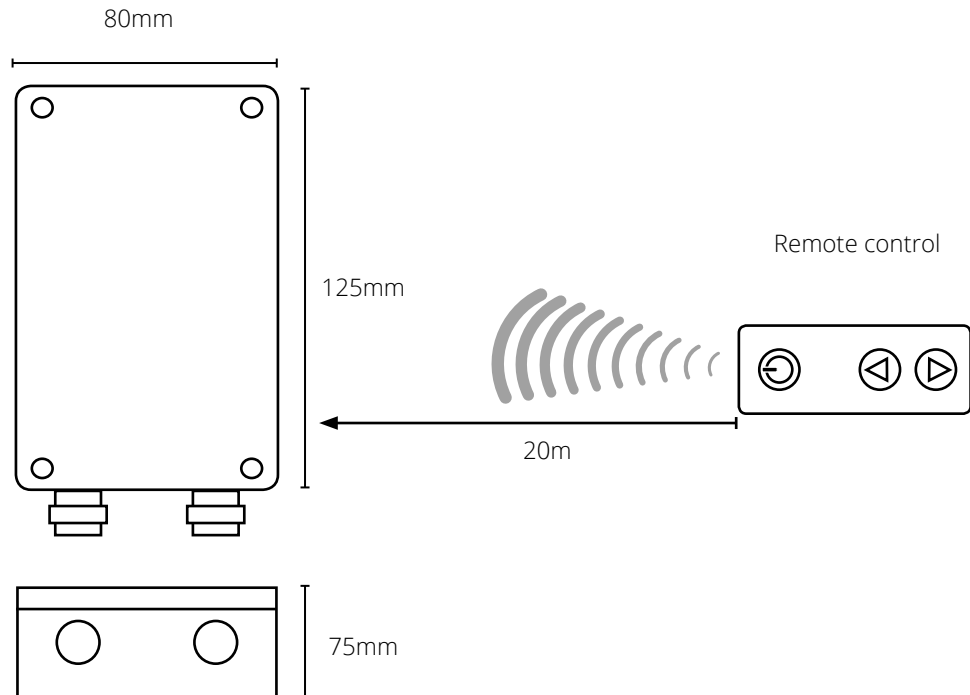
- Remote control
- 4 x mounting brackets

## Specifications

Voltage: 220-240V  
 Maximum wattage: 2000W  
 IP Rating: IP65  
 Dimming stages:  
 Step 1 – 40% of full power  
 Step 2 – 70% of full power  
 Step 3 – 78% of full power  
 Step 4 – Full power

Remote control range:  
up to 20 meters

## Dimensions



# VICTORY

Victory Lighting (UK) Ltd  
[www.victorylighting.co.uk](http://www.victorylighting.co.uk) email: [sales@victorylighting.co.uk](mailto:sales@victorylighting.co.uk)  
 tel. +44 (0)1727 815137

© Victory Lighting (UK) Ltd 2018  
 The information contained in this literature is for general information purposes only. Victory Lighting (UK) Ltd endeavours to keep the information up to date and correct, but makes no representations or warranties of any kind, express or implied, about the completeness, accuracy, reliability, suitability or availability with respect to the information, products, services, or related graphics contained in this literature.

Victory Lighting (UK) Ltd accepts no liability for any loss or damage including without limitation, indirect or consequential loss or damage, or any loss or damage whatsoever arising from loss of data or profits arising out of, or in connection with, the use of this literature.

Distributed by