



Heatlight VLPX10 infrared paint dryer

Victory's Heatlight range of automotive paint dryers has many options for both large and small jobs. The VLPX10 is a longer model with a 1kW, single-lamp, stand-mountable unit which compliments any existing full size drying system. It is ideal for drying sills, bumpers, lower areas of the vehicle and any number of other small jobs — either with or without the optional Victory lightweight stand. With the stand, it becomes an ideal additional heat source or spot drying unit.



VLPX10

Flexible, efficient drying

- Includes 1kW ruby jacketed shortwave lamp
- Wide angle Hi-light reflector
- Includes 3m supply cable and 13A plug
- Convenient On/Off switch
- 10A surface mount fuse in switchbox
- Optional 1.8m (6ft) chrome plated stand
- Full height 'slide & lock' heater bracket

Heatlight
HEATING SOLUTIONS

The Heatlight VLPX10 is intended for use on small repairs and drying jobs such as engine drying, stripe removal, filler drying and pre-heating prior to spraying. VLPX10 dryers are supplied fitted with one 1kW ruby jacketed shortwave lamp.

Applications

- Spot drying
- Engine drying
- Strip removal
- Filler drying
- Stone chip repairs
- Preheating prior to spraying

Isolating switch



VLPX10 PAINT DRYER
ON STAND (HLPS)



VLPTD

0-99 minute
timer option



Technical Data

VLPX10 infrared dryer

Heatlight VLPX10 range

Code		Watts
VLPX10	Cassette only	1000
HLPS	Stand	
VLPTD	Timer only	

Electrical specification:
220/240 VAC 1.0kW 50Hz single phase 4.17amps

VLPX10 is part of Victory's Heatlight range of paint dryers that cover small hand-held units to large area dryers. See the full range on www.victorylighting.co.uk or contact us for more information.

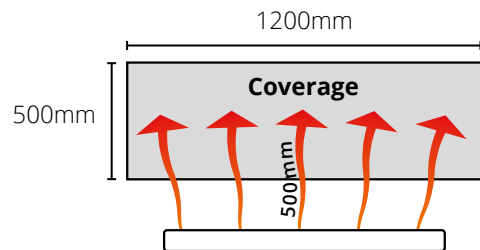
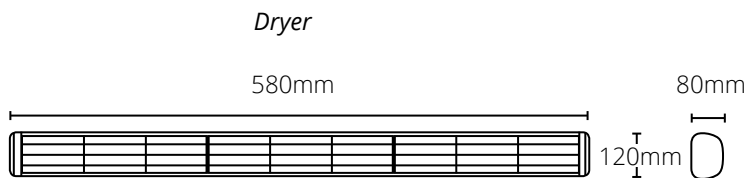
Supplied with

- 1 x 1000W lamp
- 3m cable

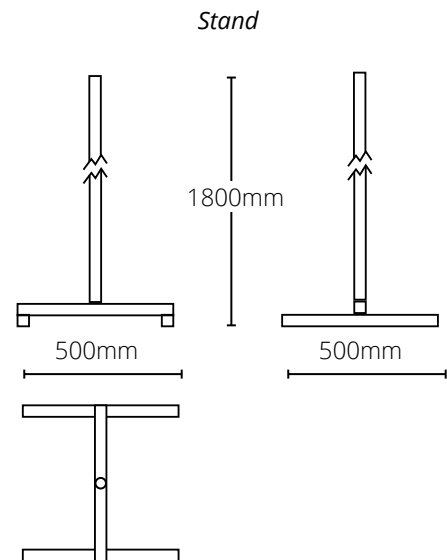
Optional extras

- HLPS 1.8m stand and slide and lock bracket
- VLPTD 0-99 minute timer

Dimensions



Area coverage @ minimum operating distance of 500mm = 1200 x 500mm



VICTORY

Victory Lighting (UK) Ltd
www.victorylighting.co.uk email: sales@victorylighting.co.uk
tel. +44 (0)1727 815137

© Victory Lighting (UK) Ltd 2018
The information contained in this literature is for general information purposes only. Victory Lighting (UK) Ltd endeavours to keep the information up to date and correct, but makes no representations or warranties of any kind, express or implied, about the completeness, accuracy, reliability, suitability or availability with respect to the information, products, services, or related graphics contained in this literature.

Victory Lighting (UK) Ltd accepts no liability for any loss or damage including without limitation, indirect or consequential loss or damage, or any loss or damage whatsoever arising from loss of data or profits arising out of, or in connection with, the use of this literature.

Distributed by