



# VICTORY

## IR

## Heatlight VLP20M infrared paint dryer

Victory's Heatlight range of automotive paint dryers has many options for both large & small jobs. The VLP20M is an infrared dryer for use on smaller repairs. Extremely mobile and flexible, it allows each cassette to be adjusted and locked into position. Height adjustment is made using the lockable sliding mechanism.



VLP20M

This flexible system allows each cassette to be adjusted and locked into position around the contours of the vehicle body, ensuring maximum area coverage. The drying cycle has all the features of larger systems with flash and bake controls both for temperature and time, automatically switching from flash to bake.

### Applications

- Small repairs
- Preheating prior to spraying



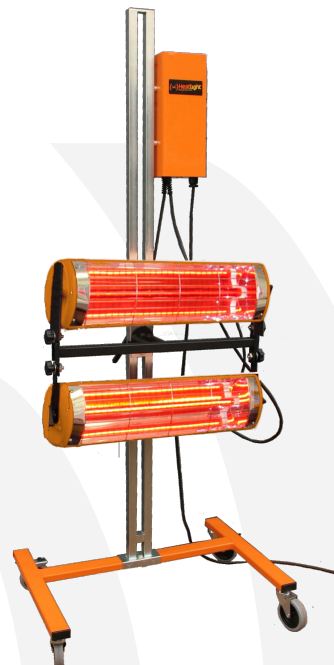
#### Control panel

Electronic power and time control with flash and bake modes up to 99 minutes. 50% power on flash and 100% power on bake.

3 preset memory function.

### The features of larger systems — for smaller jobs

- 1kW high output Glare Control short wave tubes fitted to each cassette
- Long lamp life with an average of 6000 hours (typically 4-5 years continuous professional use).
- Electronic power and time control
- Robust steel constructed stable frame, with rear wheel locking castors
- Maintenance-free cassettes with no fan or filter changes
- Individually switched cassettes
- Horizontal or vertical cassette operation



VLP20M



# Technical Data

## VLP20M infrared dryer

### Heatlight VLP20M

Code		Watts
VLP20M	Cassette complete with controller and stand	2000

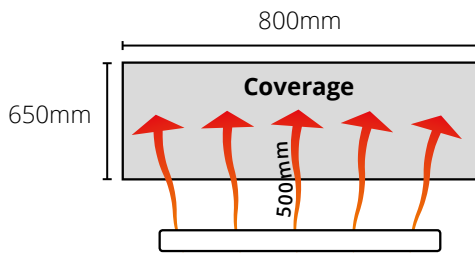
#### Supplied with

- 2 x 1000W lamps
- Cable

Electrical specification:  
220/240 V

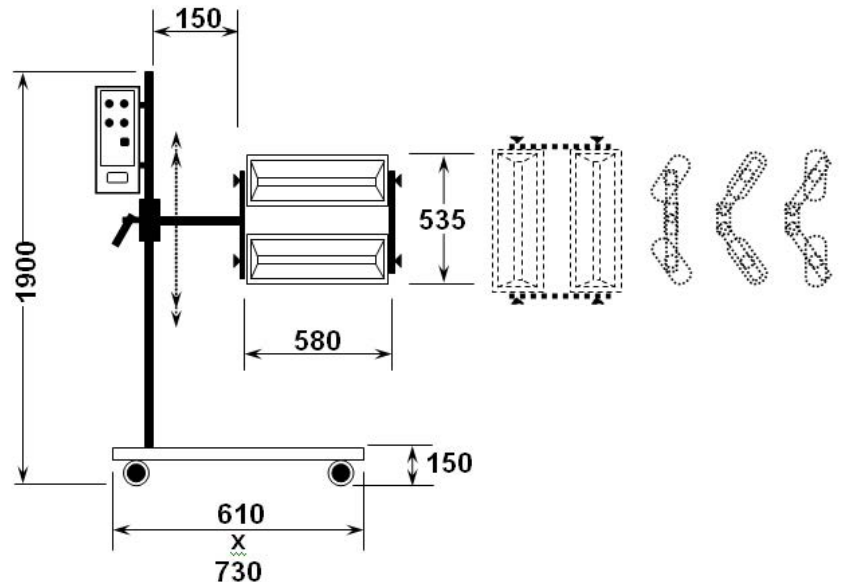
The VLP20M is part of Victory's Heatlight range of paint dryers that cover small hand-held units to large area dryers. See the full range on [www.victorylighting.co.uk](http://www.victorylighting.co.uk) or contact us for more information.

### Dimensions



Area coverage @ minimum operating distance of 500mm  
= 800 x 650mm

Max vertical curing height  
= 2000mm



## VICTORY

Victory Lighting (UK) Ltd  
[www.victorylighting.co.uk](http://www.victorylighting.co.uk) email: [sales@victorylighting.co.uk](mailto:sales@victorylighting.co.uk)  
 tel. +44 (0)1727 815137

© Victory Lighting (UK) Ltd 2018  
 The information contained in this literature is for general information purposes only. Victory Lighting (UK) Ltd endeavours to keep the information up to date and correct, but makes no representations or warranties of any kind, express or implied, about the completeness, accuracy, reliability, suitability or availability with respect to the information, products, services, or related graphics contained in this literature.

Victory Lighting (UK) Ltd accepts no liability for any loss or damage including without limitation, indirect or consequential loss or damage, or any loss or damage whatsoever arising from loss of data or profits arising out of, or in connection with, the use of this literature.

Distributed by