

Infrared quartz medium wave modules

Victory infrared quartz medium wave modules provide an efficient heat source for a variety of industrial processes, primarily those that entail thermoforming of plastics. The infrared elements built into quartz panels rapidly provide an even, controlled, heat source.

A rapid, effective heat source

- Fast response heat-up and cool-down
- Ideal for fast cycling machines
- Even heat distribution
- Highly reflective aluminised internal surface
- High radiant efficiency
- Low conventional losses
- Five standard ranges
- Large choice of power ratings
- Can be manufactured to suit most supply voltages

Applications

- Thermoforming plastics
- Composite bonding
- Comfort heating
- Industrial processing

The Victory infrared quartz medium wave module range comprises five modules to suit different fitments, and spans wattages from 150–1250W. There is thus a module to suit a wide range of industrial applications. However if you do not find the product you need in this datasheet, Victory's technical team will be happy to discuss your exact requirement.





Technical Data

Infrared quartz medium wave modules

Wattage range

Watts:	150	200	250	300	375	400	500	600	650	750	800	1000	1250
HSQ	•	•	•	•	•		•						
FSQ	•		•	•		•	•	•	•	•		•	
SQE						•	•	•		•		•	
LQE										•	•	•	•
QSQ		•	•										

Specifications

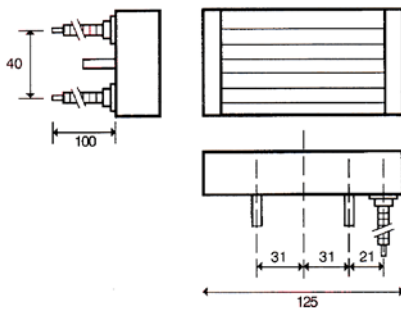
Voltages: 110-120V
220-240V
480V

These wattages are common configurations; others are available on request. Please contact us if you need a wattage that is not shown.

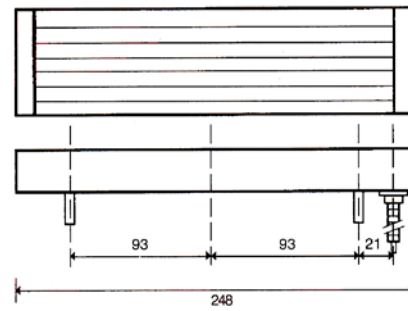
Dimensions

Lead length: 100mm standard
Fixing Studs: M4 x 20mm

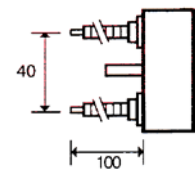
HSQ



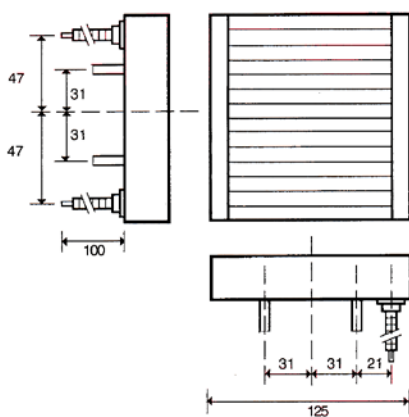
FSQ



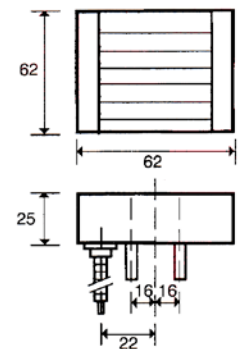
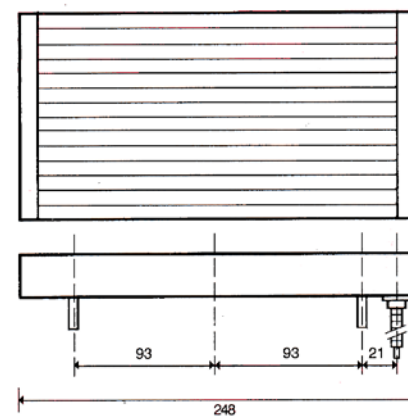
QSQ



SQE



LQE



Victory Lighting (UK) Ltd
www.victorylighting.co.uk email: sales@victorylighting.co.uk
 tel. +44 (0)1727 815137

Distributed by

© Victory Lighting (UK) Ltd 2018
 The information contained in this literature is for general information purposes only. Victory Lighting (UK) Ltd endeavours to keep the information up to date and correct, but makes no representations or warranties of any kind, express or implied, about the completeness, accuracy, reliability, suitability or availability with respect to the information, products, services, or related graphics contained in this literature.

Victory Lighting (UK) Ltd accepts no liability for any loss or damage including without limitation, indirect or consequential loss or damage, or any loss or damage whatsoever arising from loss of data or profits arising out of, or in connection with, the use of this literature.