

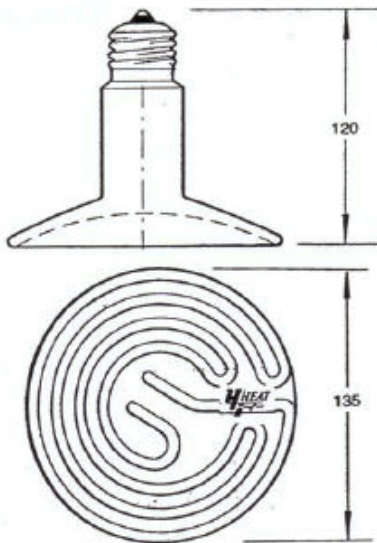
## Ceramic Lamps



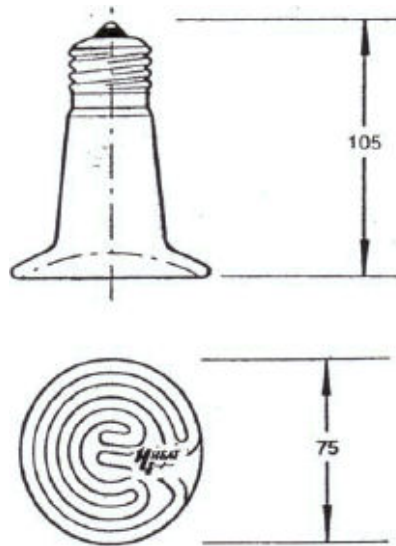
Hi- Heat Ceramic Elements are used throughout the world for many processes by a variety of industries. We have experience in providing the correct technical solution for many heating problems.

The SLF 1 & SLF 2's main applications are Food, People and Animal heating.

**SLF 1**



**SLF 2**



<b>Ratings (watts)</b>	60	75	100
<b>Mean surface temperature °C</b>	200	235	275
<b>Peak Wavelength m</b>	6.1	5.7	5.3

<b>Ratings (watts)</b>	150	250
<b>Mean surface temperature °C</b>	230	300
<b>Peak Wavelength m</b>	5.7	5

Victory Lighting (UK) Ltd

Quay West, Salamander Quay, Harefield, Uxbridge, Middlesex, UB9 6NZ

[www.victorylighting.co.uk](http://www.victorylighting.co.uk)

Tel +44 (0) 1895 821 821

Fax +44 (0) 1895 821 822

<b>Product</b>	<b>Wattage (W)</b>	<b>Volts (V)</b>
<b>SFF2</b>		
<b>SFF260w230v</b>	<b>60</b>	<b>230</b>
<b>SFF275w230v</b>	<b>75</b>	<b>230</b>
<b>SFF2100w230v</b>	<b>100</b>	<b>230</b>
<b>SFF1</b>		
<b>SFF1150w230v</b>	<b>150</b>	<b>230</b>
<b>SFF1250w230v</b>	<b>250</b>	<b>230</b>

**Victory Lighting (UK) Ltd**

Quay West, Salamander Quay, Harefield, Uxbridge, Middlesex, UB9 6NZ

[www.victorylighting.co.uk](http://www.victorylighting.co.uk)

Tel +44 (0) 1895 821 821

Fax +44 (0) 1895 821 822