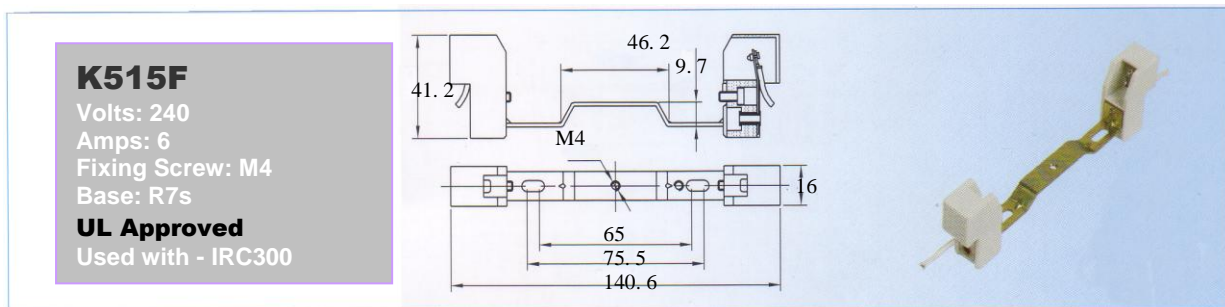
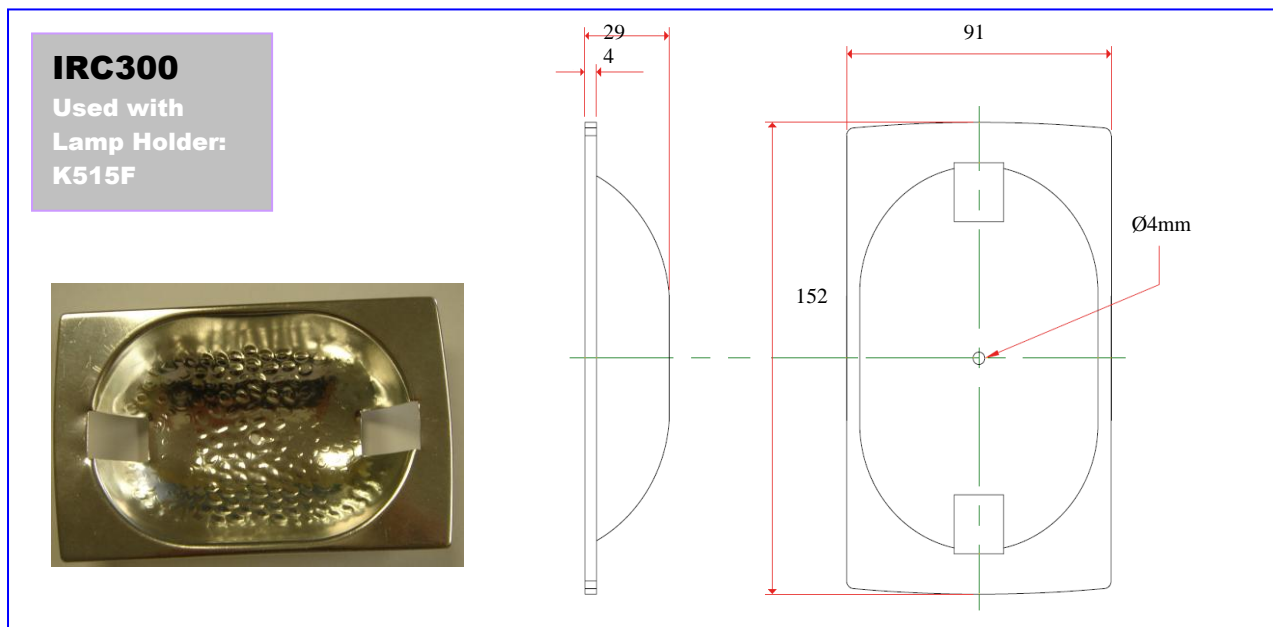


Catering Lamp Holders

We have introduced a new range of "quick fit" lamp Holders



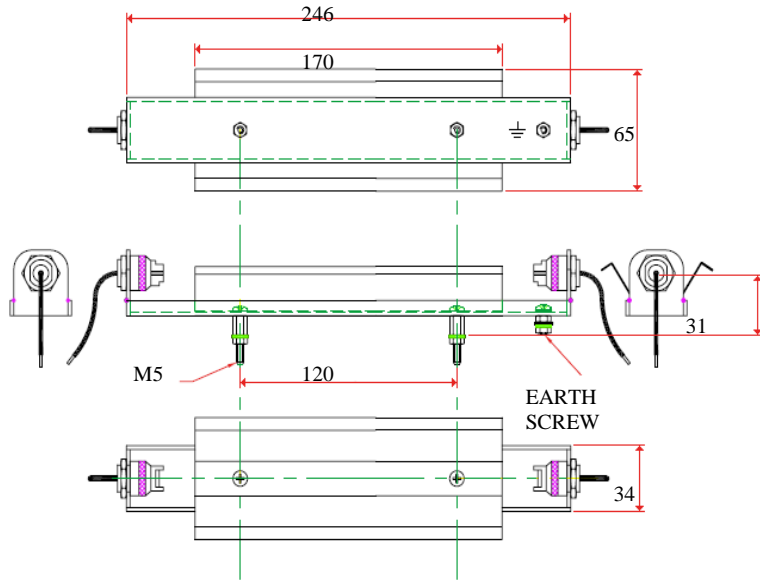
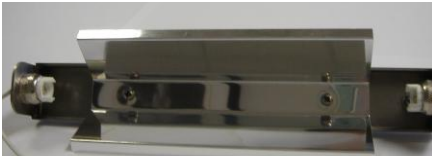
Bare ceramic Lamp Holder for 117.6mm lamps



Reflector for K515F to fit 117.6mm lamps

IRC500

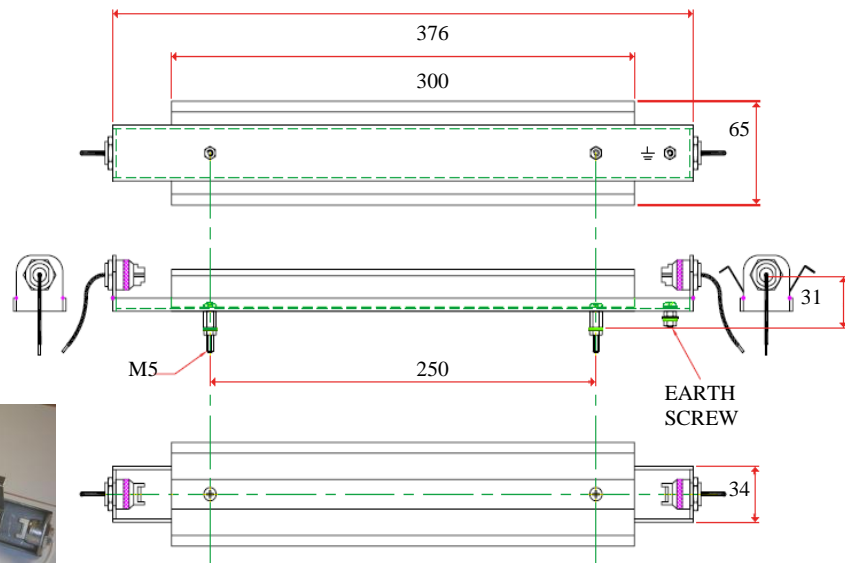
Volts: 240
Amps: 8
Fixing Screw:M5



Holder and Reflector for 220mm lamps

IRC1000

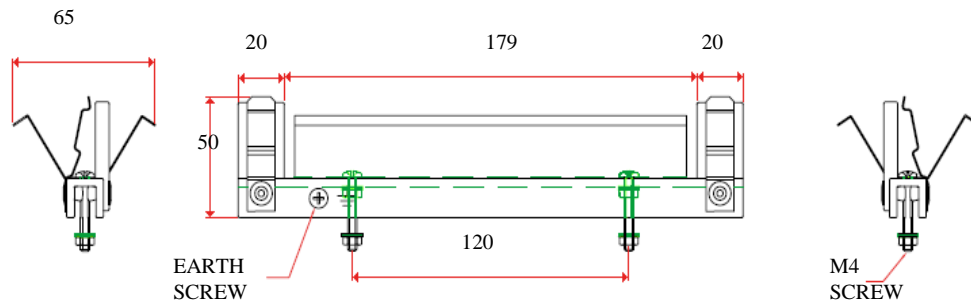
Volts: 240
Amps: 8
Fixing Screw:M5



Holder and Reflector for 350mm lamps

IRZ500

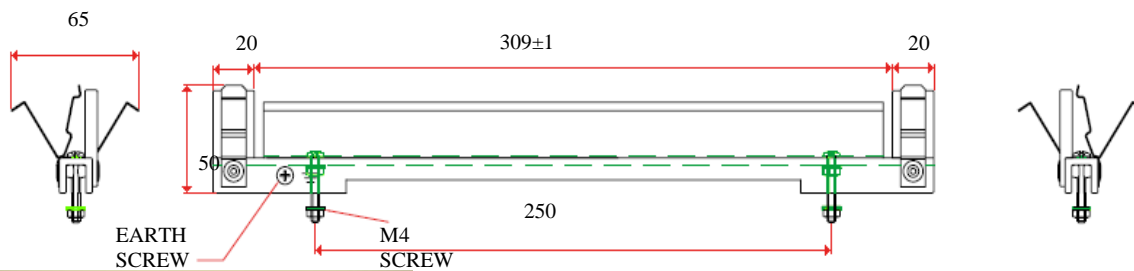
Fixing Screw:M4



Holder and Reflector for 216mm lamps

IRZ1000

Fixing Screw:M4



Holder and Reflector for 2346mm lamps

Victory Lighting (UK) Ltd

36 Orbital 25 Business Park, Dwight Road, Watford, Herts, WD18 9DA

www.victorylighting.co.uk

Tel +44 (0) 1923 804080

Fax +44 (0) 1923 804081

Product	Volts	Amps	Fixing Screw	Base
(V)				
Catering Lamp Holders				
K515F	240	6	M4	R7s
IRC300	-	-	-	R7s
IRC500	240	8	M5	R7s
IRC1000	240	8	M5	R7s
IRZ500	-	-	M4	SK15
IRZ1000	-	-	M4	SK15